

Speciality Series
Top-Mount Single Bowl Sink
SST2522-5-ADA

MATERIAL

Premium quality Type 304 nickel bearing stainless steel

FEATURES

- 20 gauge topmount
- Scratch resistant matte finish
- Heavy duty sound absorbent coating & padding
- Intelli-Pressed seamless one-piece construction
- Drain openings: 3 1/2"
- Drain placement: centered
- Number of faucet holes: 3
- Mounting hardware included
- Cutout opening: 24-3/8" x 21-3/8" w/ 1-3/8" radius corners
- Limited lifetime warranty
- Complies with ASME A 112.19.3-2008/CSA B45.4-08
- ADA compliance (See recommended ADA Installation below)



OPTIONAL ACCESSORIES

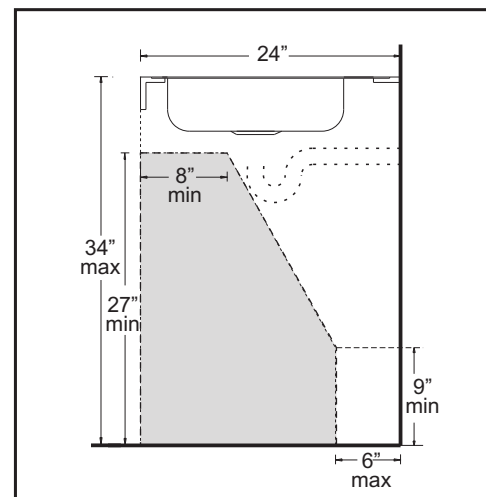
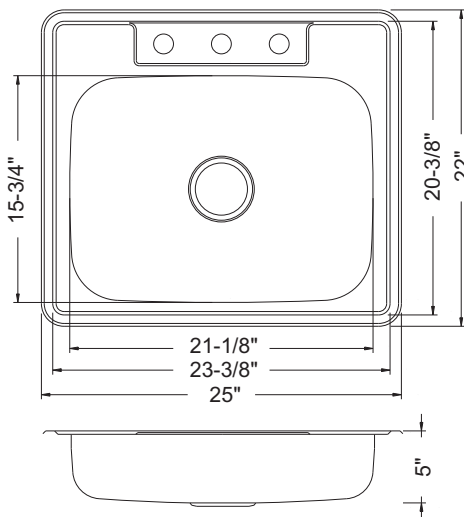
Basket Strainer: S9900



S9900

SINK DIMENSIONS

Model	Overall		Inside						Recommend Cabinet Size
	L	W	L	W	D				
SST2522-5-ADA	25"	22"	21-1/8"	15-3/4"	5"				27"



Recommended ADA Installation